

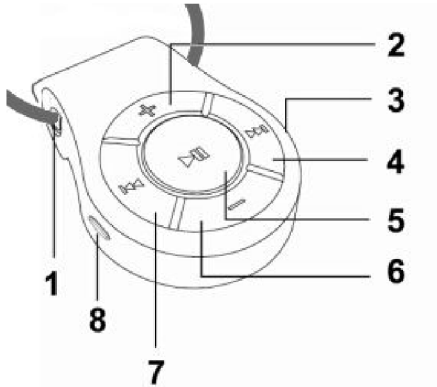


Artone Communication Solutions

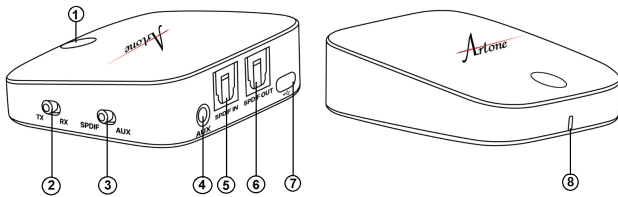
Artone 3 MAX & TVB

www.artonecs.com

Quick start guide



1. Neckloop
2. Volume +
3. Microphone
4. Forward/Next
5. Multi-functional button (MFB)/ Play/Pause
6. Volume -
7. Backward/ Last
8. Charging port



- ① Power Button
- ② Transmitter (TX) / Receiver (RX) Mode Switch
- ③ SPDIF / AUX Mode Switch
- ④ 3.5mm Audio Port
- ⑤ Optical Audio Input Port
- ⑥ Optical Audio Output Port
- ⑦ Charging Port
- ⑧ LED Indicator

Warning

- The device is extra loud, always start from minimal volume settings
- Do not bend or twist the loop extensively! Bending or twisting the loop can cause damage to the product and void the warrantee.
- Do not use near machinery as the loop may get caught up in the moving parts.
- Consult your physician before using the Loopset if you use a pacemaker or any other device that may be sensitive to magnetic/inductive fields.
- *Express extra caution while driving, and obey your state/county laws regarding usage of mobile phone while driving.
- Keep away from children.

To Use the Artone 3 MAX and TVB set.

1. Charge the Artone 3 MAX

Prior to first use, fully charge both of the devices for 2-3 hours.

- 1) Connect the power charging ports **(7)** with a power source (USB charger). When charging, the red LED will turn on.

Charging Instruction TVB

- 2) Connect the power charging ports **(8)** with a power source (USB charger). When charging, the red LED will turn on.

Pairing Artone 3 MAX and TVB

On the Artone 3 MAX From OFF state, press and hold the **MFB (5)** button on the Artone 3 MAX until the red and blue lights start flashing alternatively.

On the TVB

1. Ensure the TVB is set to TX mode and that the device is off.
2. Connect the TVB to your TV with the appropriate cable.
3. Power On the TVB and set it to pairing mode (press the Power button twice).

Place the Artone 3 MAX and the TVB at the distance of 1 meter from each other. The devices will automatically connect after few seconds.

How to use Artone 3 MAX with your mobile phone

Power on

While the Artone 3 MAX is off, long press and hold the MFB button until the blue LED indicator starts flashing.

Enter pairing mode

When the Artone 3 MAX is off, long press and hold the MFB button until the blue and red LED indicator start flashing alternatively. The Artone 3 MAX will enter Pairing Mode.

Pairing with Mobile Phone

Artone 3 MAX and mobile phone should be placed within 1 meter (3 feet) from each other.

Press MFB on the Artone 3 MAX until the red and blue lights start flashing alternatively. On your mobile phone, in the Bluetooth menu directory activate search function, “find new device”, choose “Artone 3 MAX” from found devices list, following the screen prompts. In case the phone prompts for a passkey please enter 0000 (four zeros).

Find the full version of instructions for use at: www.artonecs.com/ifu